



Care Quip

USER MANUAL

AA0110 Bathboard



Care Quip Pty Ltd

5 Millennium Court Silverwater NSW 2128

P 02 9714 1111 E info@carequip.com.au

www.carequip.com.au

Welcome

Congratulations on the purchase of this Care Quip Bathboard.




This user manual provides a guide on usage and tips to ensure that you can operate your bathboard to achieve the best results.

To ensure you are satisfied with the level of service, required replacement parts and accessories or have any questions concerning the use or maintenance, please contact your authorised Care Quip dealer. Where there is no authorised dealer in your area please contact:

Care Quip

5 Millennium Court Silverwater NSW 2128
02 9714 1111 info@carequip.com.au

SYMBOLS

- | | | |
|---|----------------|--|
|  | DANGER | A message regarding possible risk of a serious accident. |
|  | WARNING | A message regarding possible risk of injury. |
|  | CAUTION | A message regarding possible technical damage. |
| | NOTE: | Important information about the product. |



The bathboard can be slippery when wet – use with caution



This bathboard is designed as a temporary seating aid only. Do not use the board as a step. Do not tip or put an offset load onto the board or injury may occur



Do not install the bathboard if there is a shower door track on the side of the bath



The bathboard is not recommended for use on free standing baths, or baths with no side wall



Supervision or assistance is recommended for users with limited mobility when using the bathboard



Before use, ensure the side of the bath is wide enough for the bathboard to rest safely on. When installed the bathboard should not exceed the outside wall of the bath by more than 20mm



When using a bathboard, it is recommended that the user be able to sit with good balance; to lift their legs over the edge of the bath; and to bend at the hips



The bathboard is manufactured from lightweight, slip resistant moulded plastic with adjustable handgrip for added security. Fits majority of baths.



Some minor assembly is required

IMPORTANT: Do not use your bathboard until this manual has been read and understood

Assembly

Insert the eight rubber pads into the slots underneath the board, with rounded edges facing out.

To attach the feet, position foot with rubber pads facing outwards and insert screw down through the positioning channel. Tighten loosely enough to allow the foot to slide freely for final positioning when in bath. Repeat for remaining three feet.

To attach the safety handgrip, position the handle over the top of the board and secure with two plastic screws. Tighten firmly to ensure the handgrip is securely attached.

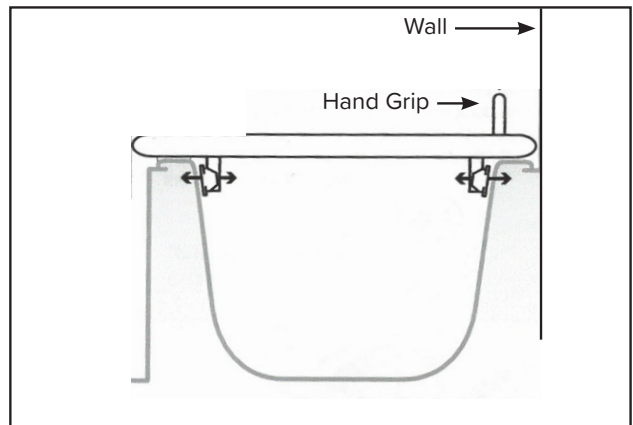
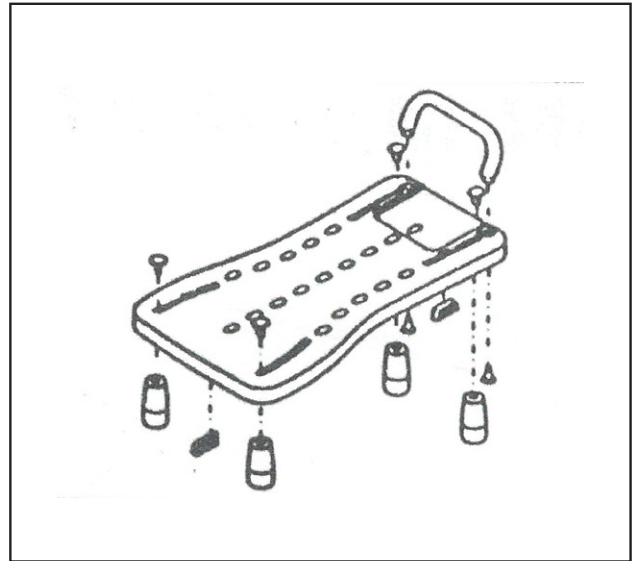
Positioning the board

The side of the bathboard with the handgrip must be closest to the wall. Ensure the bathboard is positioned as close to the side wall as possible.

Adjust the feet to fit snugly inside the bathtub. Once in place, tighten the screw to secure the feet firmly in place. The angle of the rubber pads may be adjusted to suit the angle of the bathtub walls.

Check that the bathboard feels secure and cannot be easily moved when pulled forwards, backwards or sideways.

Before use, ensure the bathboard is squarely and securely positioned over the bath. Using a slip proof bath mat will increase safety when using the bathboard.



Do not lean this device over. Place the handle on the wall side of the bath



Max User Weight 110kg



Do not exceed temperature limit 3° - 70°C



Wash with warm water and mild soap after each use and dry thoroughly



Do not use safety handle to assist in standing. Forced weight on one handle may cause bathboard to become unstable.



Fit footrest within the bathtub surface slope for safe use